

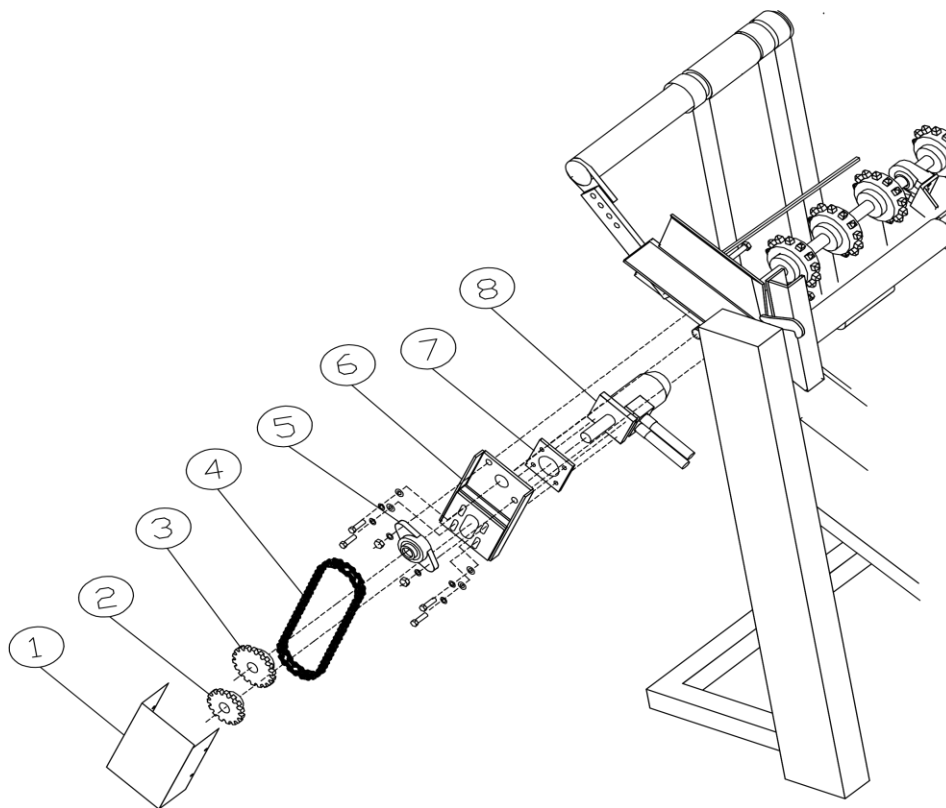


TSB01082015

## TECHNICAL SERVICE BULLETIN

Models: Traditional BR Harvesters

**SUBJECT: Conveyor Motor Failure**



1. Shield
2. Drive sprocket
3. Driven sprocket
4. Roller chain
5. Flange bearing
6. Motor mount bracket

7. Motor spacer
8. Conveyor drive motor

When replacing the front or rear conveyor drive motor on a BR model harvester, be certain that the motor spacer (7) is correctly installed between the motor and motor mount bracket (6). See above drawing.

If the spacer is not located between the motor and mount bracket, the shaft-end cap on the motor will crack when the motor mounting fasteners are tightened.

If the motor end cap is cracked, the motor will leak a substantial amount of hydraulic fluid. The leakage generally appears to be leaking from the motor shaft seal.

**NOTE:**

**Bucyrus Equipment Company Inc. (BECI) will not replace a hydraulic motor that has been damaged during installation under warranty.**

It is important to note that the motor spacer may remain on the hydraulic motor when the motor is removed from the mount bracket. **Do not discard the spacer.**

When installing the motor, tighten the motor fasteners in a crossing pattern, in several steps, to 25-30 ft.-lbs. (34-41 N.m).